



SADEVdecor
S3100 MONTI Spider Fittings

SADEV classic S3100 Monti Fin Spider

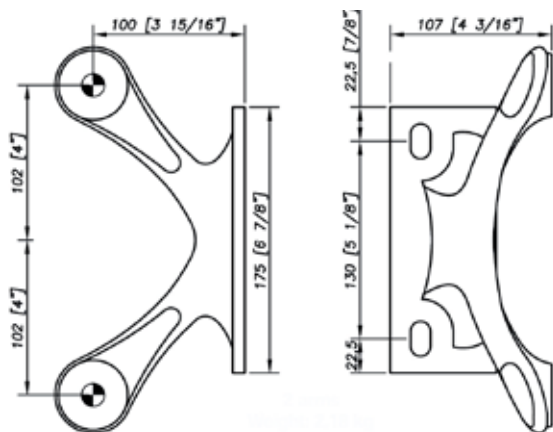


2 Way Fin Spider

- Lost wax casting spider.
- Material: stainless steel AISI 316.
- Finish: satin polished.

Supplied as single or back to back pairs.

Description	Part Number
Sadev S3100 2 Way Fin Spider	41-1004.04.77

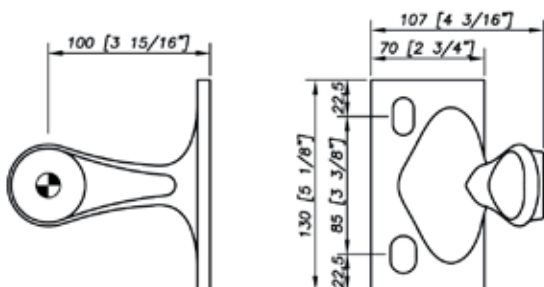


1 Way 90° Fin Spider

- Lost wax casting spider.
- Material: stainless steel AISI 316.
- Finish: satin polished.

Supplied as single or back to back pairs.

Description	Part Number
Sadev S3100 1 Way 90° Fin Spider	41-1004.01.77

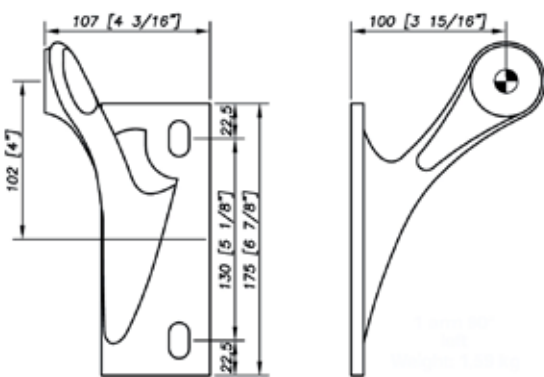


1 Way 45° Right Fin Spider

- Lost wax casting spider.
- Material: stainless steel AISI 316.
- Finish: satin polished.

Supplied as single or back to back pairs.

Description	Part Number
Sadev S3100 1 Way 45° Right Fin Spider	41-1004.03.77



1 Way 45° Left Fin Spider

- Lost wax casting spider.
- Material: stainless steel AISI 316.
- Finish: satin polished.

Supplied as single or back to back pairs.

Description	Part Number
Sadev S3100 1 Way 45° Left Fin Spider	41-1004.02.77

